

TECHNICAL SHEET

VOLUMETRIC DIVIDERS



Models:

- VOLUMETRIC DIVIDER ROUNDER
- VOLUMETRIC DIVIDER



General technical characteristics:

- Suction piston system with double cam;
- Soft dividing without compression;
- Close circuit lubrication;
- Speed variator;
- Production 1000÷2400 PCS/HR;
- Standard hopper kg 40;
- Piston Ø 90 from 30 to 400
- Piston Ø 110 from 50 to 600
- Piston Ø 120 from 80 to 950
- Piston Ø 135 from 140 to 1300

Optional accessories:

- Special tension;
- Special hoppers (80-160-20 Lt.);
- Stainless steel version;
- Inverter speeds controls

Warranty:

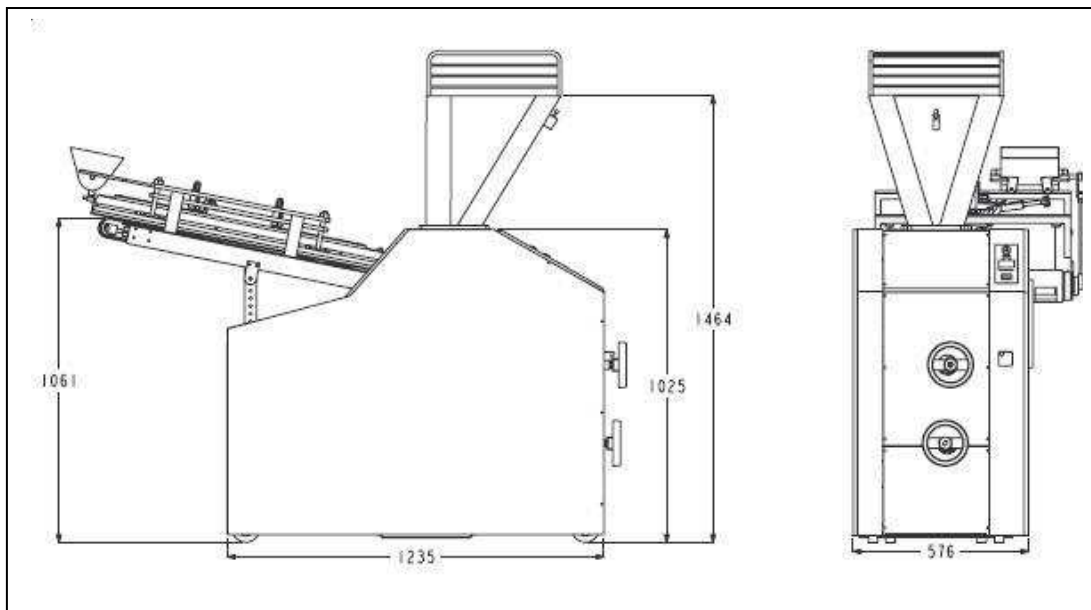
- One year, ⊗

⊗ warranty conditions

Sigma machines are covered by warranty against material or manufacturing defects for 12 months since the invoice date and subject to the conditions here under mentioned:

The warranty consists only in the ex works replacement of the faulty parts, except the electrical parts and motors. The purchaser will be reimbursed neither for the damage coming from the production stop nor for the labor coming from the installation of the new parts. Warranty is not valid in the following cases: the purchaser does not respect the payment terms; the damages are caused by overcharge, unskilfulness, abnormal use, poor maintenance, not authorized modifications, when irregular or lack of electric majeure. Manufacturing defects should be communicated to Sigma company to the e-mail address: sigmasrl.info@legalmail.it as soon as they appear.

Dimensions



Voltage:

SPZ 40-50: 220V/3/50Hz e 400V/3/50Hz
(Optional: 220V/3/50Hz)

Transmission: belts and chain..

Protections: protection cover, emergency button and hands protection.

Power: 1,5 kW.

Shipping information

| Net weight | Gross weight |
|------------|--------------|
| | Cage |
| 610kg | 700kg |

Information on the packaging

| Cage/Crate | |
|-----------------|--------------------------|
| Dimensions [mm] | Volume [m ³] |
| 2000x1000x1400 | 2.8 |

Information on the piston

| Model | Weight | |
|------------|--------|------|
| | Min | Max |
| Piston 40 | 15 | 20 |
| Piston 60 | 25 | 30 |
| Piston 80 | 50 | 80 |
| Piston 90 | 140 | 200 |
| Piston 110 | 120 | 200 |
| Piston 120 | 300 | 400 |
| Piston 135 | 600 | 900 |
| Piston 150 | 1300 | 1700 |